

(19) World Intellectual Property Organization  
International Bureau



(43) International Publication Date  
14 September 2006 (14.09.2006)

PCT

(10) International Publication Number  
**WO 2006/096115 A1**

(51) International Patent Classification:

G01R 19/145 (2006.01) G02B 6/44 (2006.01)  
G01R 13/02 (2006.01) H05B 33/12 (2006.01)

(21) International Application Number:

PCT/SE2006/000283

(22) International Filing Date: 6 March 2006 (06.03.2006)

(25) Filing Language: English

(26) Publication Language: English

(30) Priority Data:

0500523-6 7 March 2005 (07.03.2005) SE

(71) Applicant (for all designated States except US): **THE INTERACTIVE INSTITUTE II AB** [SE/SE]; Box 24081, S-104 50 Stockholm (SE).

(72) Inventors; and

(75) Inventors/Applicants (for US only): **GUSTAFSSON, Anton** [SE/SE]; Sommarogatan 1, S-632 26 Eskilstuna (SE). **GYLLENSWÄRD, Magnus** [SE/SE]; Polhemsgatan 34, S-112 30 Stockholm (SE). **ÖHMAN, Christina** [SE/SE]; Kadettbacken 4, S-132 47 Saltsjö-Boo (SE). **ILSTEDT-HJELM, Sara** [SE/SE]; Norrstigen 41, S-181 31 Lidingö (SE).

(74) Agents: **HAGSTRÖM, Hans** et al.; Bergenstråhle & Lindvall AB, Box 17704, S-118 93 Stockholm (SE).

(81) Designated States (unless otherwise indicated, for every kind of national protection available): AE, AG, AL, AM, AT, AU, AZ, BA, BB, BG, BR, BW, BY, BZ, CA, CH, CN, CO, CR, CU, CZ, DE, DK, DM, DZ, EC, EE, EG, ES, FI, GB, GD, GE, GH, GM, HR, HU, ID, IL, IN, IS, JP, KE, KG, KM, KN, KP, KR, KZ, LC, LK, LR, LS, LT, LU, LV, LY, MA, MD, MG, MK, MN, MW, MX, MZ, NA, NG, NI, NO, NZ, OM, PG, PH, PL, PT, RO, RU, SC, SD, SE, SG, SK, SL, SM, SY, TJ, TM, TN, TR, TT, TZ, UA, UG, US, UZ, VC, VN, YU, ZA, ZM, ZW.

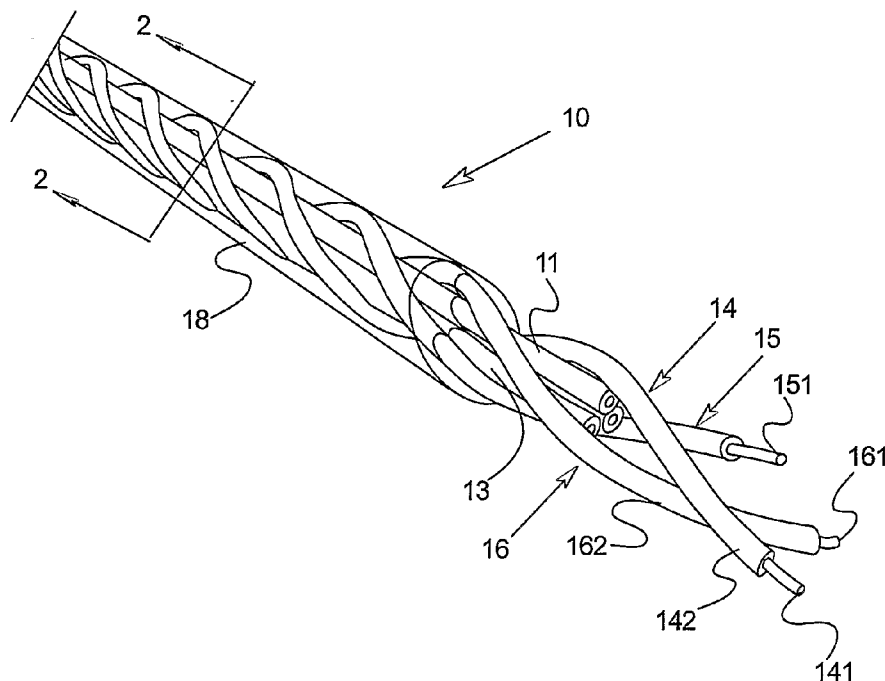
(84) Designated States (unless otherwise indicated, for every kind of regional protection available): ARIPO (BW, GH, GM, KE, LS, MW, MZ, NA, SD, SL, SZ, TZ, UG, ZM, ZW), Eurasian (AM, AZ, BY, KG, KZ, MD, RU, TJ, TM), European (AT, BE, BG, CH, CY, CZ, DE, DK, EE, ES, FI, FR, GB, GR, HU, IE, IS, IT, LT, LU, LV, MC, NL, PL, PT, RO, SE, SI, SK, TR), OAPI (BF, BJ, CF, CG, CI, CM, GA, GN, GQ, GW, ML, MR, NE, SN, TD, TG).

Published:

— with international search report

[Continued on next page]

(54) Title: VISUALISATION ARRANGEMENT



(57) Abstract: The present invention relates to a method and an arrangement for visual indication of an electrical quantity, being one or several of power, current and/or voltage through a conductor. The arrangement comprises a substantially wire shaped illuminator (14, 15, 16) and a controller (34, 40) which controls at least one illumination characteristic of said illuminator with respect to said electrical feature.

WO 2006/096115 A1



---

*For two-letter codes and other abbreviations, refer to the "Guidance Notes on Codes and Abbreviations" appearing at the beginning of each regular issue of the PCT Gazette.*

## Visualisation Arrangement

### TECHNICAL FIELD OF THE INVENTION

- 5 The present invention relates to a visualisation arrangement, especially formed as a cable or wire surrounding, for visualisation of current and/or power consumption.

### BACKGROUND OF THE INVENTION

- 10 Electricity is an invisible phenomenon. Usually, the state of the electrical equipment is indicated using some form of illuminator such as LEDs arranged in a housing. The light from the illuminator indicates whether the equipment is on or off.

- 15 US 6,347,172 describes an optically observable cable and a method of manufacturing the same. The optically observable cable includes a conduit for conducting signals and a side-emitting optical fiber disposed on a periphery of the conduit and extending along a length of the conduit, and a cable jacket encapsulating the conduit and the side-emitting optical fiber, wherein the cable jacket is at least partially translucent such that the side-emitting optical fiber is optically exposed through the cable jacket. A method of  
20 detecting individual cables from amongst a plurality of signal transmission cables each having a side-emitting optical fiber includes positioning a light source at an interface which houses an end of a cable to be detected, transmitting light from the light source into the interface, and observing light emitted from an axis of a cable to be detected. This invention aims to solve the problem of identifying different cables in a large  
25 number of cable structures.

- In the prior art, materials emitting light when an electric current passes through them are well known and used in a wide range of display applications. Typical electroluminescent devices comprise an anode, normally of an electrically light  
30 transmitting material, a layer of a hole transporting material, a layer of the electroluminescent material, optionally a layer of an electron transmitting material and a metal cathode. There can be other layers, such as buffer layers and the layers can be combined using mixtures of one or more of the hole transporting material, electroluminescent material and the electron transmitting material.

For example, WO 03/093394 relates to an electroluminescent device having a layer which emits light in the blue, purple/blue or ultraviolet section of the spectrum and a layer which contains a fluorescent material and optionally a layer comprising one or more color filters so that light emitted by the electroluminescent layer excites the fluorescent material causing light to be emitted at a longer wavelength.

US 2002/0039666 relates to an electric luminescence fiber, which can be maintained in any desired shape and can be used in wider applications. The invention provides a flexible luminescence substance produced by arranging electrode wires in electric luminescence powder, said electric luminescence substance is coated with thermoplastic resin, thermosetting resin, or UV-setting resin. The coated resin is hardened and stabilized in linear or other desired shape, and the electric luminescence substance inside the coated resin is maintained in the desired shape.

## SUMMARY OF THE INVENTION

The present invention provides a novel method and arrangement for indicating the level of current and/or power consumption of one or several apparatuses. Mainly, the invention provides an arrangement and method for indicating the load a power cable is exposed to.

For these reasons, an arrangement is provided for visual indication of an electrical quantity, being one or several of power, current and/or voltage through a conductor. The arrangement comprises a substantially wire shaped illuminator and a controller which is adapted to control at least one illumination characteristic of the illuminator with respect to the electrical feature. Preferably, the wire shaped illuminator is arranged along the conductor. According to one embodiment, the wire shaped illuminator is electroluminescent. According to another embodiment, the wire shaped illuminator is an optical fibre.

Preferably, the controller is further adapted to measure the electrical quantity and adopt a control signal to control the illuminator. The controller may comprise a processing arrangement and a measuring arrangement and a driver for driving the illuminator receiving control signals from the processing arrangement.

According to preferred embodiments, the illumination feature is one or several of intensity, colour or frequency.

5 The invention also relates to a cord comprising at least one electric wire and an illuminating arrangement, at least partly arranged along extension of said electric wire, said illuminating arrangement having means for illumination when energized. The cord further comprising a substantially translucent coating, covering said wire and illuminating arrangement. According to one embodiment, the illuminating arrangement is electroluminescent wire. According to another embodiment the illuminating  
10 arrangement is an optical fibre. The illuminating arrangement indicates current and/or power consuming through said electric wire.

The invention also relates to a method of visually indicating an electrical quantity, being one or several of power, current and/or voltage through a conductor, the method  
15 comprising the steps of energizing a substantially wire shaped illuminator and controlling at least one illumination characteristic of said illuminator with respect to said electrical feature.

#### BRIEF DESCRIPTION OF THE DRAWINGS

20

In the following, the invention will be further described in a non-limiting way with reference to the accompanying drawings in which:

- 25 Fig. 1 schematically illustrates a part of an arrangement according to a preferred embodiment of the invention in perspective,  
Fig. 2 is a cross sectional view through a cord arrangement of Fig. 1 along line 2-2,  
Fig. 3 is a schematic illustration of a cord, according to the invention, connected to a distributor, and  
Fig. 4 is an exemplary block diagram of a controlling arrangement.

30

## DETAILED DESCRIPTION OF THE EMBODIMENTS

Figs. 1 and 2 illustrate an exemplary embodiment of the invention comprising a cord arrangement 10 including three ordinary electrical wires 11, 12 and 13 arranged around a centre axis. The electrical wires may extend parallel to the centre axis, as shown in Fig. 1, but may also be arranged in a twisted configuration around the centre axis. According to the present example, the three wires may be arranged as power, ground and neutral. The invention can be realised by twisting a number of illuminating wires 14, 15 and 16, which include conductors 141, 151 and 161 coated by an illuminating coating 142, 152 and 162, respectively.

The illuminating wires may be of the type known as electroluminescents, such as described in US 2005037233, WO 031/05538, US 2004067387, WO 03/093394, US 2002/0039666, US 5,485,355 etc. The illuminating wires may also comprise of wires manufactured under trademark Lytec ® by ELAM Ltd.

The illuminating wires may also comprise optical fibres, preferably side-emitting optical fibres.

The twisted electrical wires and illuminating wires are covered by a light transparent or semi transparent coating 18, for example made of silicon, rubber etc.

It is appreciated by a skilled person that the present invention is not limited to three illuminating wires and the invention may be applied using any number of illuminating wires and/or electrical wires.

Fig. 3 illustrates one application of the invention as a cord 30 of a distributor 31. The distributor 31 is connected to a wall socket 32. An electric equipment (not shown) is connected to the distributor through a plug 33. The cord is provided with the illuminating wires as mentioned earlier. It is also possible to provide the distributor and the wall plug itself with illuminating wires and consequently using them as part of the indicator.

The illuminating wires are connected to a controlling arrangement 34, in this case arranged inside the distributor.

An exemplary controlling arrangement is described in the following in conjunction with the block diagram of Fig. 4.

5 Power to the controlling arrangement 40 is supplied through a power supply 41, which is connected to, for example, a wall socket through the cord 30. The power is adapted to the power level of the electronics in the controlling arrangement. The power supplier converts the power from AC to DC. A processing unit 42, such as a micro computer is arranged to process the information on power level or current amount received from a measuring arrangement 43.

10

The measuring arrangement 43 is arranged between the wall socket and before connection to an electric equipment so that the power and/or current consumption can be measured. The measuring arrangement may sample current and voltage cautiously and provide data to the micro computer. The power is product of current multiplied with  
15 voltage. In the event of stable voltage, the phase shift can be ignored and the current can be measured and used to approximate the power. Thus, the difference between the visualisation of current consumption and power consumption can be minimized.

20 The micro computer controls, in this example, three pulse width modulators (PWMs) 44a-44c for controlling analog circuits with a processor's digital outputs. The number of PWMs corresponds to the number of illuminating wires. The PWMs are connected to drivers 45a-45c, which operate in a suitable range, e.g. 0-110 V, 8 KHz. The illuminating wires are connected to the drivers and thus operate in the output range of  
25 the inverter modules. The drivers may be inverter modules.

In case of optical fibers, the drivers may be connected to intensity and/or pulse controlled light sources, such as light emitting diodes (LED) connected to one end of the fibers.

30 Depending on the current/voltage through the electrical wires, the micro computer will output suitable control signal to the drivers, which feeds the illuminating wires with varying current, voltage and frequency corresponding to the consumed current/voltage through the electrical wires.

In a preferred embodiment, the electroluminescent wires includes a central copper wire coated with a phosphorus material coating and two tiny transmitter wires wrapped around it, and covered by a PVC coating and finally a colored vinyl coat. The driver takes the voltage from a DC power source and inverts it to, e.g. 110 volts AC. When  
5 connected to a power source and driver, the charge creates a glow in the wire, e.g. very similar to neon.

Thus, the controlling arrangement controls the illuminating characteristics, e.g. intensity, color and/or pulsing (frequency) of the illuminating wires in relation to the consumed power and/or current through the electric wires. This allows obtaining a  
10 simultaneous characteristic change, shifting the pulsing in the wires to obtain visual effects such as flowing light, etc.

It should be appreciated by a skilled person that the aforementioned controlling arrangement, and input and output values are given as an example and other types of controlling arrangement operating with different electrical values may occur.

15 The invention is not limited to applications in cables and cords, especially distributor cords; the invention may likewise be applied in household appliance for providing visual indication of power consumption of different appliances. In industrial and construction site applications, the visualization may be used for indicating overload. Especially, if many apparatuses are connected, it is possible to track a particular apparatus being  
20 overloaded or consuming high power by following the visually indicating cable. The visualization allows finding cables in limited sight situations.

The invention is not limited to the shown embodiments but can be varied in a number of ways without departing from the scope of the appended claims and the arrangement and the method can be implemented in various ways depending on application,  
25 functional units, needs and requirements etc.



**CLAIMS**

1. An arrangement (10, 30) for visual indication of an electrical quantity, being one or several of power, current and/or voltage through a conductor (11, 12, 13),  
5 characterised in  
that the arrangement comprises a substantially wire shaped illuminator (14, 15, 16)  
and a controller (34, 40) adapted to control at least one illumination characteristic of  
said illuminator with respect to said electrical feature.
- 10 2. The arrangement of claim 1, wherein said wire shaped illuminator is arranged along  
said conductor.
3. The arrangement of claim 1 or 2, wherein said wire shaped illuminator is  
electroluminescent (14, 15, 16).
- 15 4. The arrangement of claim 1 or 2, wherein said wire shaped illuminator is an optical  
fibre.
5. The arrangement of claim 1, wherein said controller (34, 40) is further adapted to  
20 measure said electrical quantity and adopt a control signal to control said  
illuminator.
6. The arrangement of claim 3, wherein said electroluminescent includes a central  
conductive wire (141, 151, 161) coated with a phosphorus material coating (141,  
25 152, 162) and transmitter wires wrapped around it, and covered by a coating and a  
colored vinyl coat.
7. The arrangement according to any of preceding claims, wherein said controller (40)  
comprises a processing arrangement (42) and a measuring arrangement (43) and  
30 a driver (45a-45c) for driving said illuminator receiving control signals from said  
processing arrangement.
8. The arrangement according to any of preceding claims, wherein said illumination  
feature is one or several of intensity, colour or frequency.

9. A cord (10) comprising at least one electric wire (11, 12, 13) and an illuminating arrangement (14, 15, 16), at least partly arranged along extension of said electric wire, said illuminating arrangement having means (142, 152, 162) for illumination when energized.
- 5
10. The cord of claim 9, further comprising a substantially translucent coating (18), covering said wire and illuminating arrangement.
11. The cord of claim 9, wherein said illuminating arrangement is electroluminescent
- 10 wire.
12. The cord of claim 9, wherein said illuminating arrangement is an optical fibre.
13. The cord of claim 9, wherein said illuminating arrangement indicates current and/or
- 15 power consuming through said electric wire.
14. A method of visually indicating an electrical quantity, being one or several of power, current and/or voltage through a conductor, the method comprising the steps of energizing a substantially wire shaped illuminator and controlling at least one
- 20 illumination characteristic of said illuminator with respect to said electrical feature.

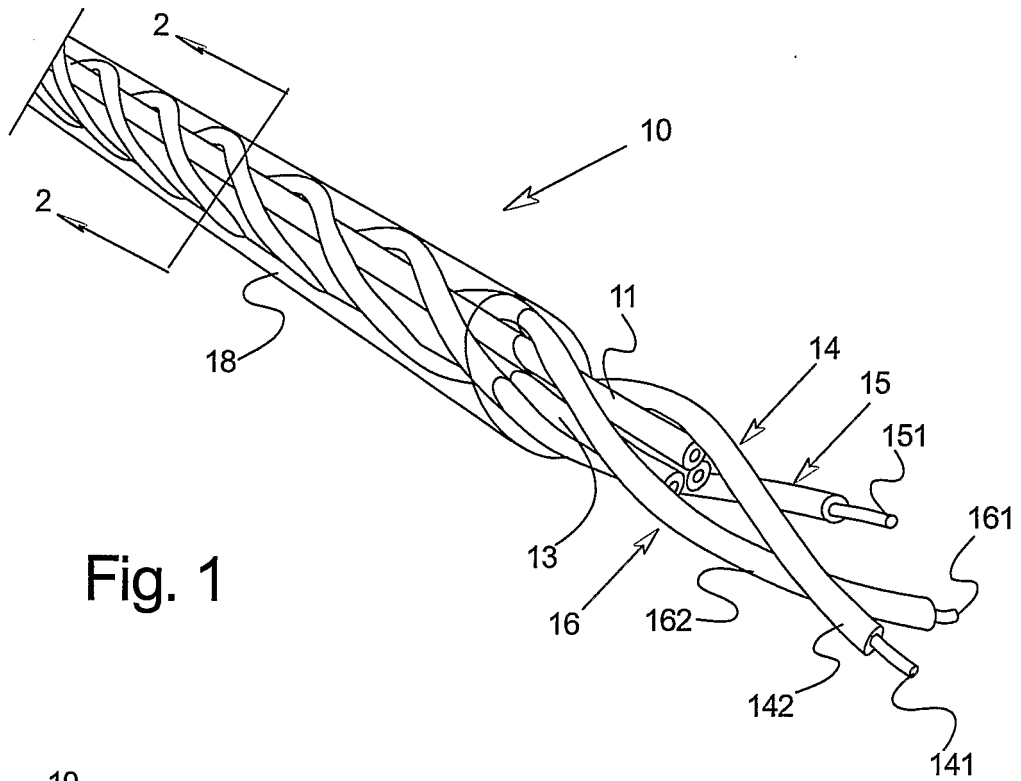


Fig. 1

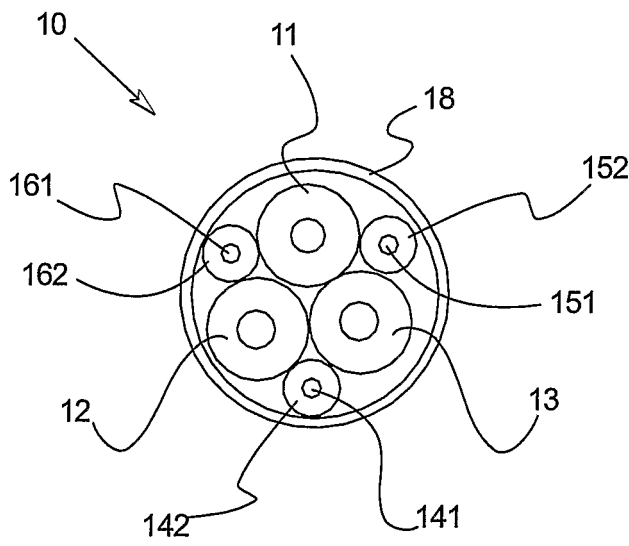
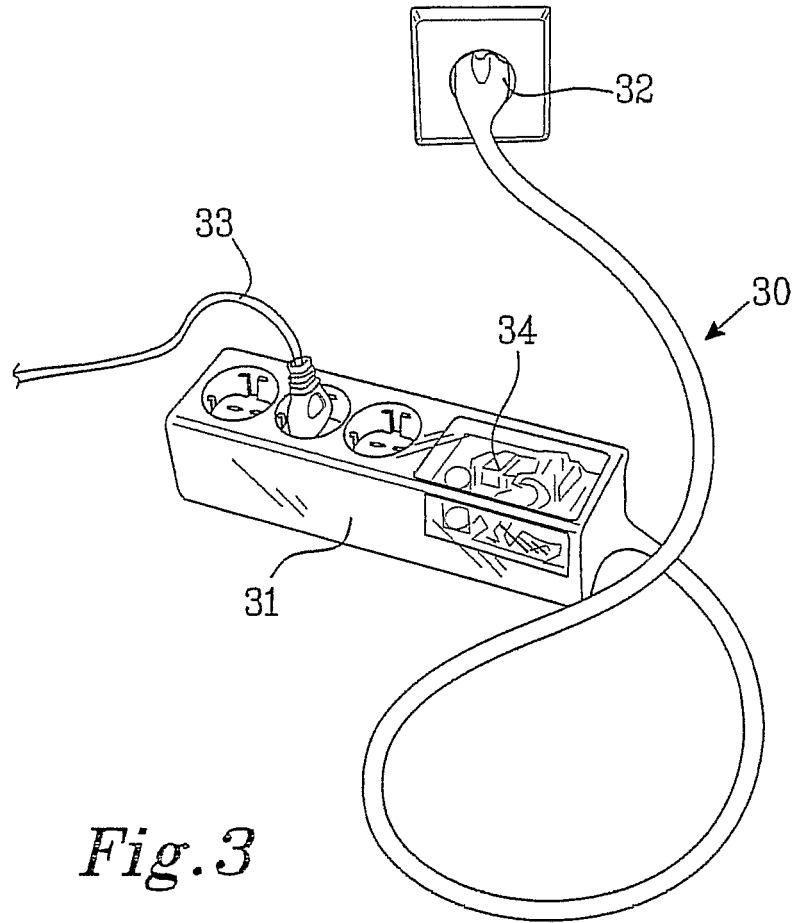


Fig. 2



*Fig. 3*

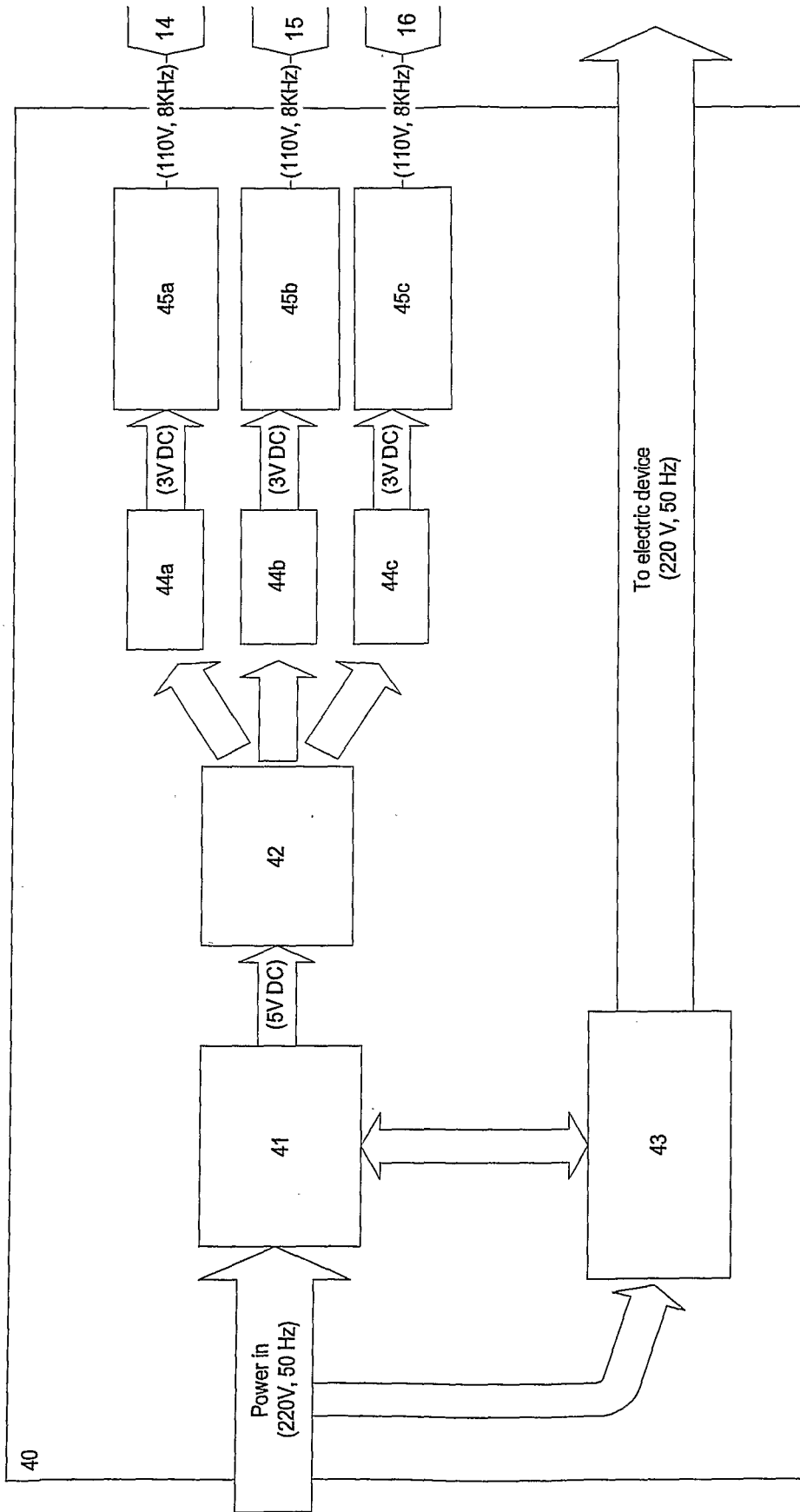


Fig. 4

## INTERNATIONAL SEARCH REPORT

International application No.

PCT/SE2006/000283

## A. CLASSIFICATION OF SUBJECT MATTER

IPC: see extra sheet

According to International Patent Classification (IPC) or to both national classification and IPC

## B. FIELDS SEARCHED

Minimum documentation searched (classification system followed by classification symbols)

IPC: G01R, H05B, G02B

Documentation searched other than minimum documentation to the extent that such documents are included in the fields searched

SE,DK,FI,NO classes as above

Electronic data base consulted during the international search (name of data base and, where practicable, search terms used)

EPO-INTERNAL, WPI DATA, PAJ

## C. DOCUMENTS CONSIDERED TO BE RELEVANT

Category*	Citation of document, with indication, where appropriate, of the relevant passages	Relevant to claim No.
A	US 6169491 B1 (MACDONALD, T M), 2 January 2001 (02.01.2001), abstract --	1-14
A	US 6377054 B1 (BEHA, C), 23 April 2002 (23.04.2002), paragraph [0008], figure 2A, abstract --	1-14
A	US 5122733 A (HAVEL, K), 16 June 1992 (16.06.1992), column 20, line 33 - line 44, figure 45, abstract --	1-14

 Further documents are listed in the continuation of Box C.
  See patent family annex.

\* Special categories of cited documents:

"A" document defining the general state of the art which is not considered to be of particular relevance

"E" earlier application or patent but published on or after the international filing date

"L" document which may throw doubts on priority claim(s) or which is cited to establish the publication date of another citation or other special reason (as specified)

"O" document referring to an oral disclosure, use, exhibition or other means

"P" document published prior to the international filing date but later than the priority date claimed

"T" later document published after the international filing date or priority date and not in conflict with the application but cited to understand the principle or theory underlying the invention

"X" document of particular relevance: the claimed invention cannot be considered novel or cannot be considered to involve an inventive step when the document is taken alone

"Y" document of particular relevance: the claimed invention cannot be considered to involve an inventive step when the document is combined with one or more other such documents, such combination being obvious to a person skilled in the art

"&amp;" document member of the same patent family

Date of the actual completion of the international search 1 June 2006	Date of mailing of the international search report 14-06-2006
Name and mailing address of the ISA/ Swedish Patent Office Box 5055, S-102 42 STOCKHOLM Facsimile No. +46 8 666 02 86	Authorized officer Irma Bornhede /LR Telephone No. +46 8 782 25 00

## INTERNATIONAL SEARCH REPORT

International application No.

PCT/SE2006/000283

C (Continuation). DOCUMENTS CONSIDERED TO BE RELEVANT		
Category*	Citation of document, with indication, where appropriate, of the relevant passages	Relevant to claim No.
A	US 6347172 B1 (KELLER, D A ET AL), 12 February 2002 (12.02.2002); column 1, line 62 - column 2, line 10; column 3, line 30 - line 59, figure 1a  --	1-14
A	US 20020039666 A1 (NAKAMURA, H), 4 April 2002 (04.04.2002), paragraphs [0026]-[0027], figure 3  -- -----	1-14

INTERNATIONAL SEARCH REPORT

International application No.  
PCT/SE2006/000283

**International patent classification (IPC)**

**G01R 19/145** (2006.01)

**G01R 13/02** (2006.01)

**G02B 6/44** (2006.01)

**H05B 33/12** (2006.01)

**Download your patent documents at [www.prv.se](http://www.prv.se)**

The cited patent documents can be downloaded at [www.prv.se](http://www.prv.se) by following the links:

- In English/Searches and advisory services/Cited documents (service in English) or
- e-tjänster/anförda dokument (service in Swedish).

Use the application number as username.

The password is **QSSZVJLSOF**.

Paper copies can be ordered at a cost of 50 SEK per copy from PRV InterPat (telephone number 08-782 28 85).

Cited literature, if any, will be enclosed in paper form.



**INTERNATIONAL SEARCH REPORT**  
Information on patent family members

04/03/2006

International application No.

PCT/SE2006/000283

US	6169491	B1	02/01/2001	CA	2321408 A	30/03/2001
US	6377054	B1	23/04/2002	NONE		
US	5122733	A	16/06/1992	US	5003298 A	26/03/1991
				US	5194854 A	16/03/1993
				US	5283517 A	01/02/1994
				US	5475300 A	12/12/1995
				US	5656935 A	12/08/1997
				US	6018237 A	25/01/2000
				US	6119073 A	12/09/2000
				US	6121767 A	19/09/2000
				US	6133722 A	17/10/2000
				US	6166710 A	26/12/2000
				US	6181126 B	30/01/2001
				US	6208322 B	27/03/2001
				US	6239776 B	29/05/2001
				US	6281864 B	28/08/2001
				US	6300923 B	09/10/2001
				US	6310590 B	30/10/2001
				US	6424327 B	23/07/2002
				US	6535186 B	18/03/2003
				US	6577287 B	10/06/2003
				US	20020000957 A	03/01/2002
				US	20020003511 A	10/01/2002
				CA	1252236 A,C	04/04/1989
				CA	1257334 A	11/07/1989
				CA	1261923 A	26/09/1989
				CA	1266704 A	13/03/1990
				IN	169382 A	05/10/1991
				US	4794383 A	27/12/1988
US	6347172	B1	12/02/2002	EP	1168025 A	02/01/2002
US	20020039666	A1	04/04/2002	JP	2002110341 A	12/04/2002
				US	6686064 B	03/02/2004